

SXD-Hybrid

New generation hybrid remote reading modem and load management device

PROLAN 

Two-way communication (4G, NB-IoT, LTE CatM, LTE450)
integrated with broadcast messaging (RCR)



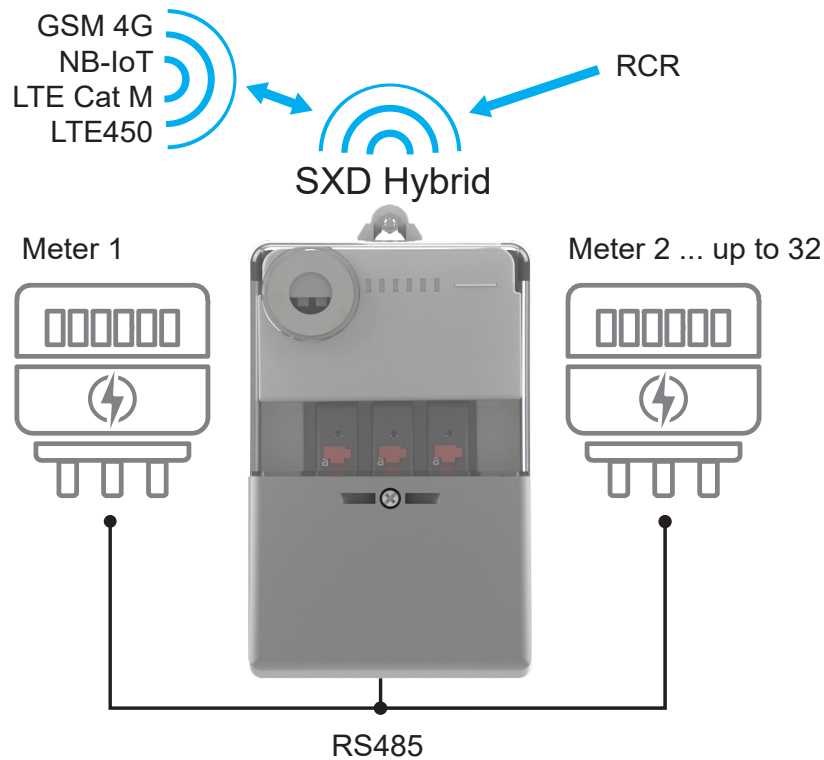
TO WHOM WE OFFER:

- energy utility DSO
- energy traders

MAIN FEATURES:

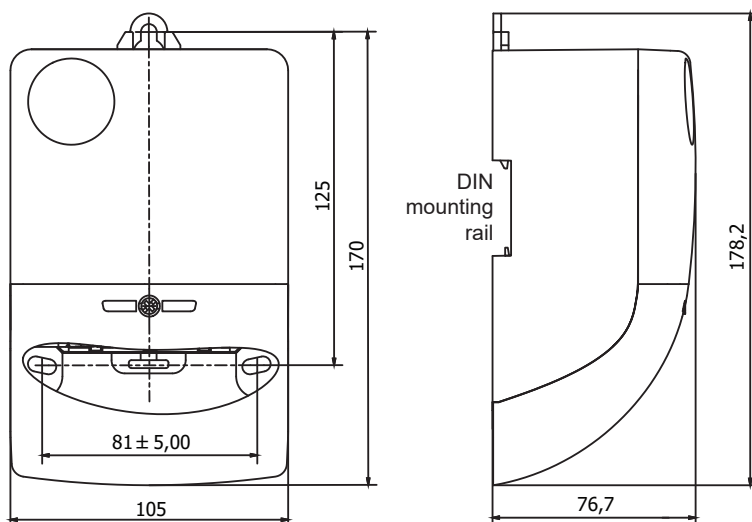
- Cost effective way to manage up to 32 meter and load control relays
- Robust new generation remote reading modem with built-in load control relays
- Two-way communication (4G, NB-IoT, LTE CatM, LTE450) for remote reading and managing of meters
- Broadcast messaging with ripple control receiver module to manage the relays
- Integrated Bank-level encryption technology for the highest level of secure remote communication
- Hungarian development and production
- Possibility to manager and control up to 32 meter with 1 sim card
- The mounting point of the **SXD-Hybrid** housing is the same as the mounting point of the remote reading modem and ripple control device or can be fixed to DIN mounting rail too

TECHNICAL DATA



Meter Interface:	RS485
Meter Interface speed:	300 to 38400 baud, fix or MODE C
Configuration:	Locally or remotely
WAN Interface:	GSM 4G, NB-IoT, LTE Cat M, LTE450
Device input voltage:	U _n 100–230 V AC, F _n 50 Hz;
Power consumption:	1 - 3 W
Transmitting band:	450 / 800 / 850 / 900 / 1800 / 1900 MHz
GSM antenna port:	Nominal impedance: 50 Ohm; SMA/FME connector
Operating temperature:	–20°C to +85°C (>55°C derating)
Humidity:	0-95%, non-condensing
Housing:	DIN standard; IP51, UL94-V0
CE Conformity: Telecommunications End Devices (1999/5/EC): EN301419-1, EN301511	

Dimensions



Prolan Process Control Co.

H-2011 Budakalász, Szentendrei út 1-3.

HUNGARY

T: +36-20/954-3100

F: +36-26/540-420

info@prolan.hu

www.prolan.hu